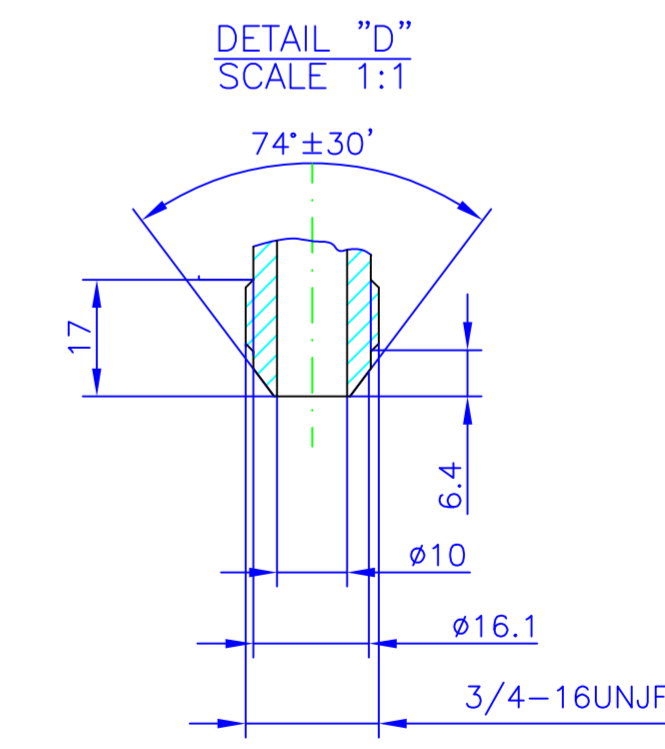
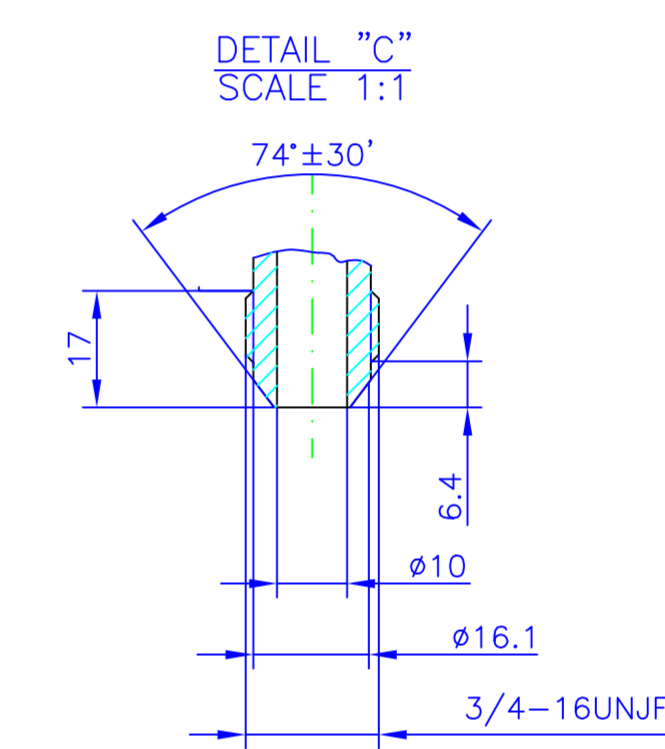
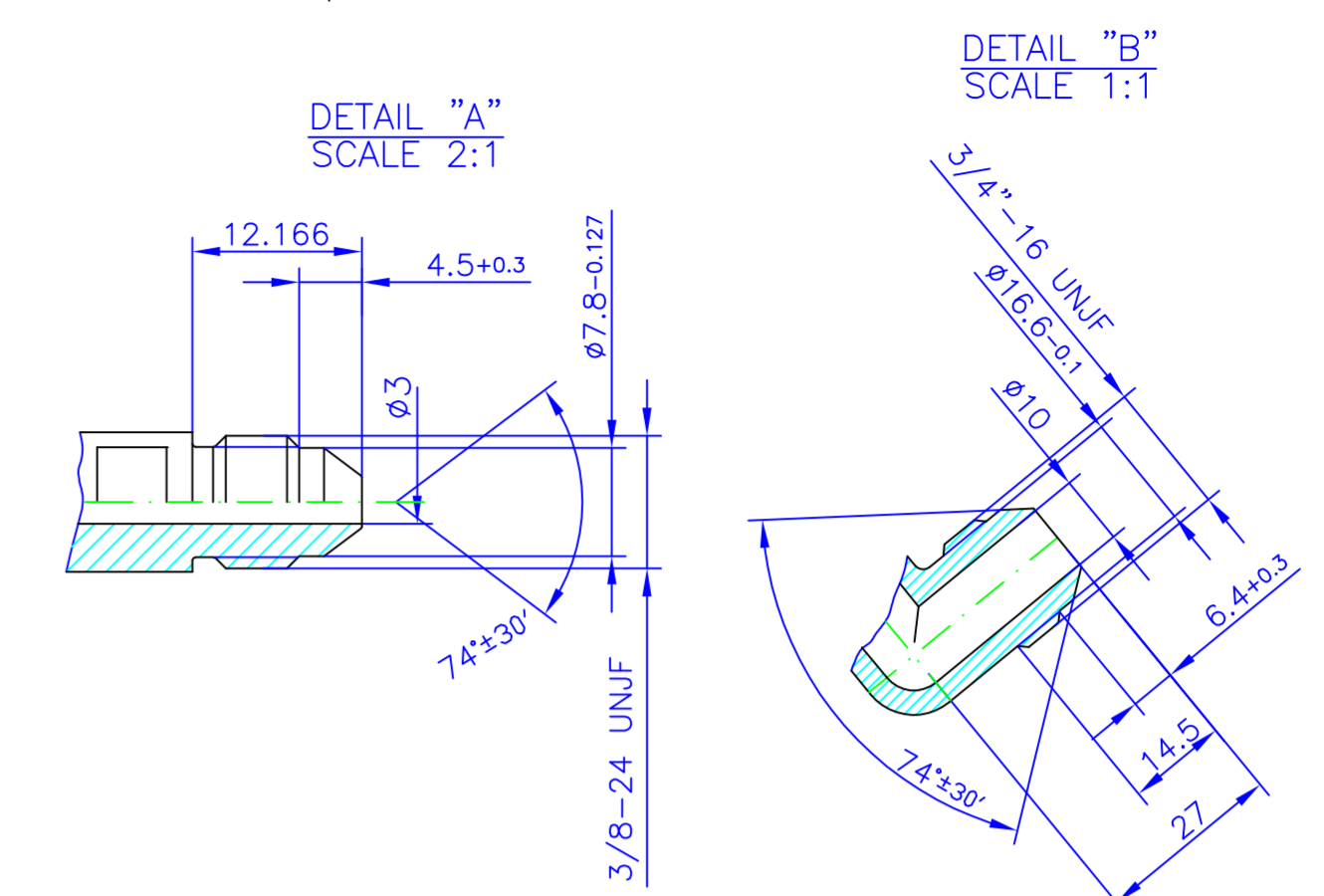


| REVISIONS | | | | |
|-----------|-----|-------------|------|----------|
| ZONE | REV | DESCRIPTION | DATE | APPROVED |
| | | | | |



| | | | | | |
|---|---------|-----------------------------------|--------------|----------------|-----|
| UNLESS OTHERWISE SPECIFIED DIMENSIONS ARE IN MM | | AEROMOTORS | | BACAU, ROMANIA | |
| TOLERANCES | | M-14P ENGINE INSTALLATION DRAWING | | | |
| LINEAR | ANGULAR | | | | |
| ± | ± | SIZE | FSCM NO. | DWG NO. | REV |
| D | | | | 14-000-400ID | |
| SURFACE TEXTURE | | SCALE | SHEET 1 OF 3 | | |
| μM | | | | | |