

REVISIONS				
ZONE	REV	DESCRIPTION	DATE	APPROVED

D

C

B

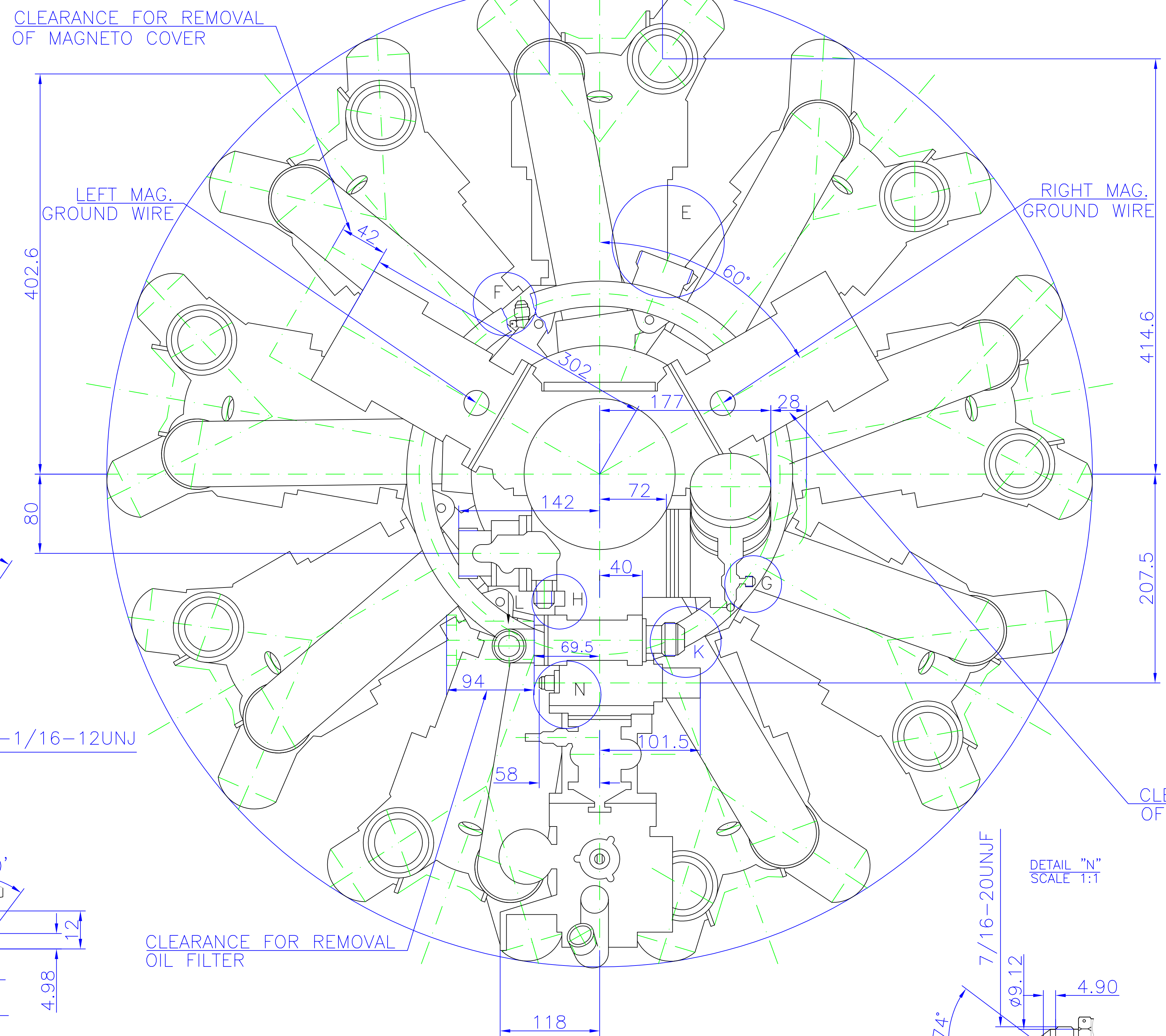
A

D

C

B

A



REAR VIEW

CLEARANCE FOR REMOVAL OF MAGNETO COVER

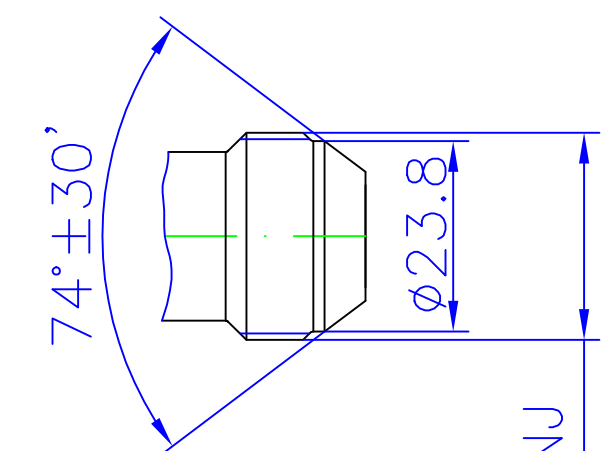
LEFT MAG. GROUND WIRE

RIGHT MAG. GROUND WIRE

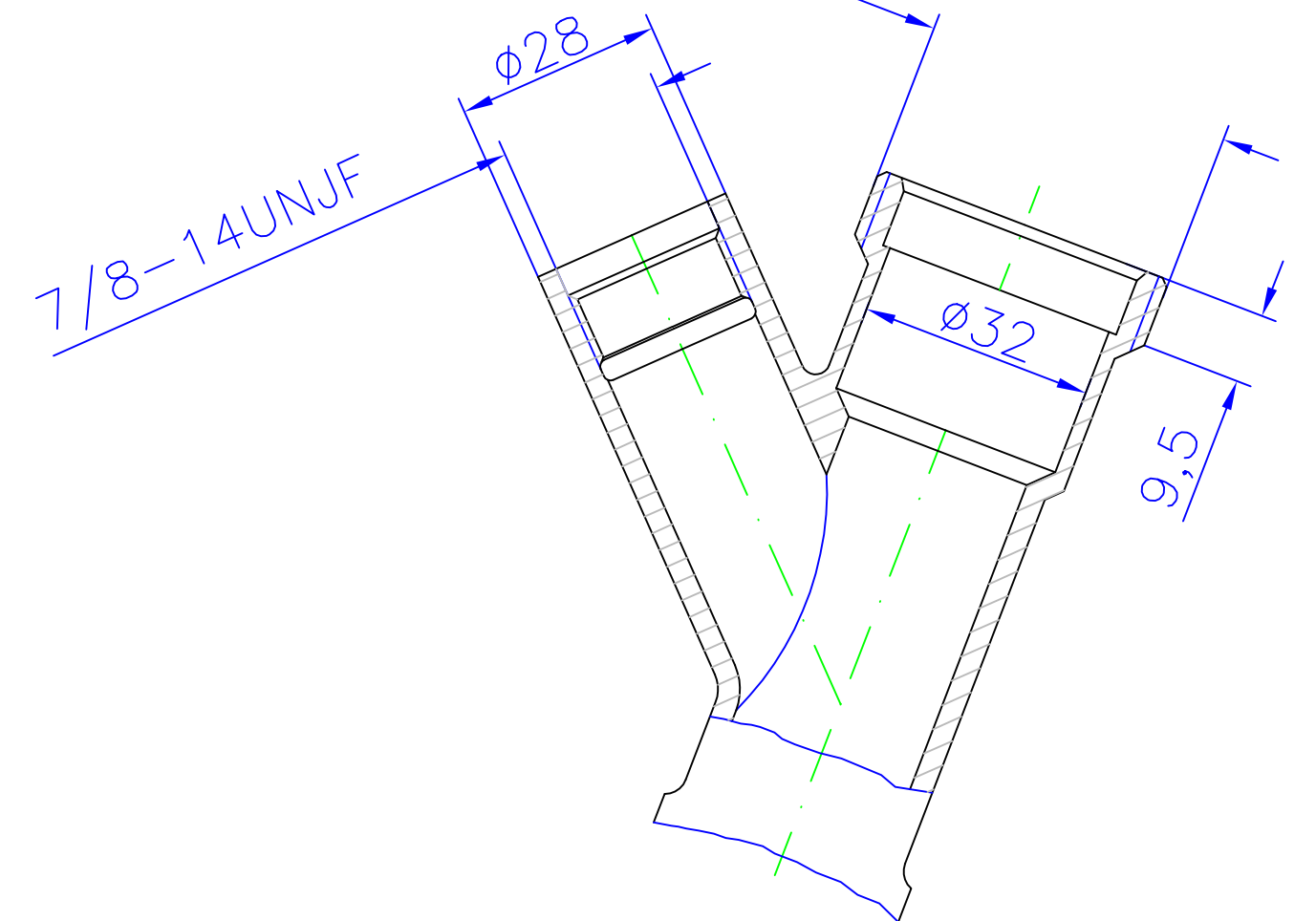
CLEARANCE FOR REMOVAL OF AIR COMPRESSOR

CLEARANCE FOR REMOVAL OF OIL FILTER

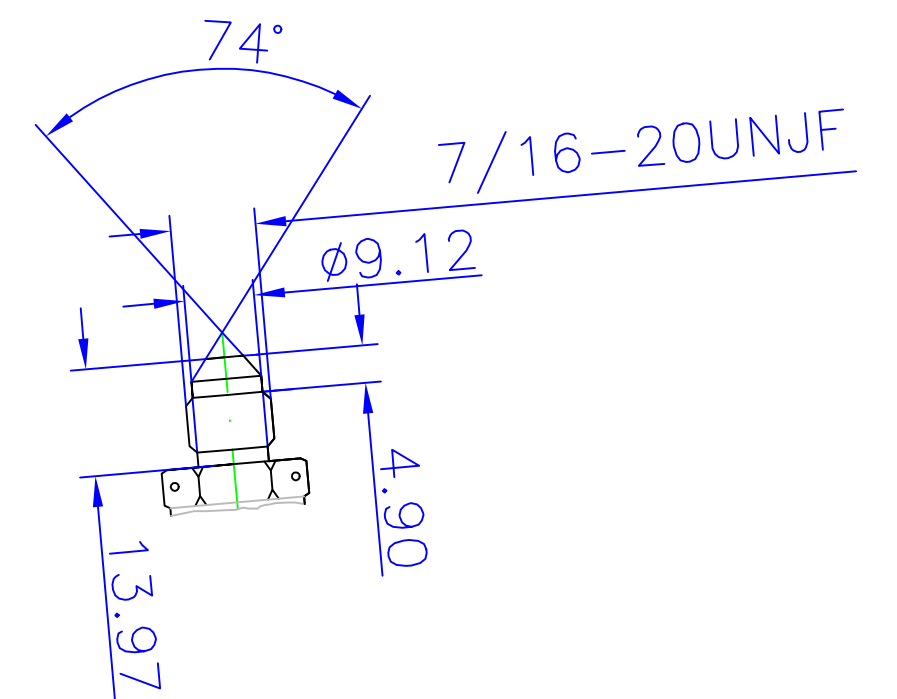
DETAIL "K" SCALE 1:1



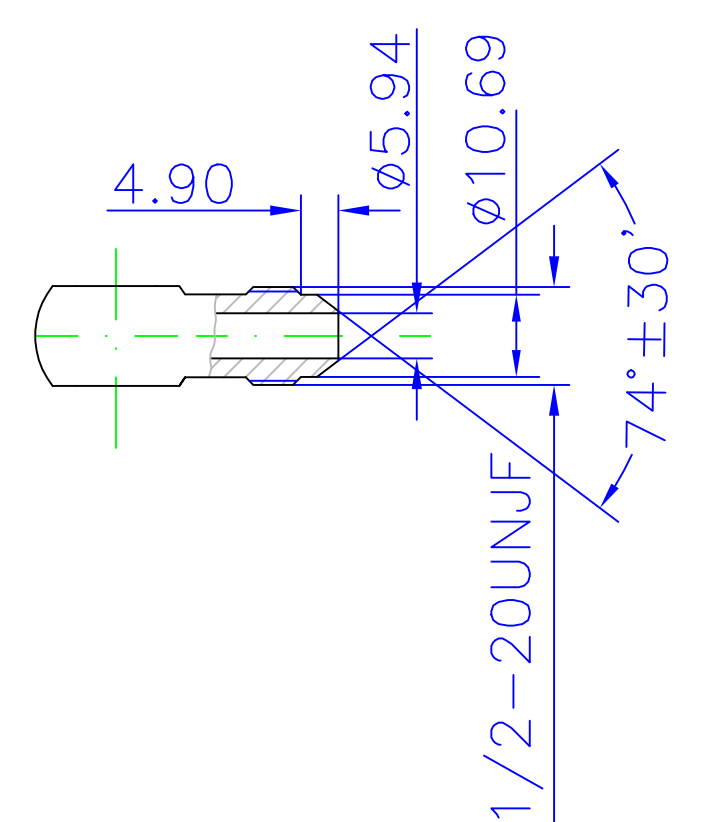
DETAIL "E" SCALE 1:1



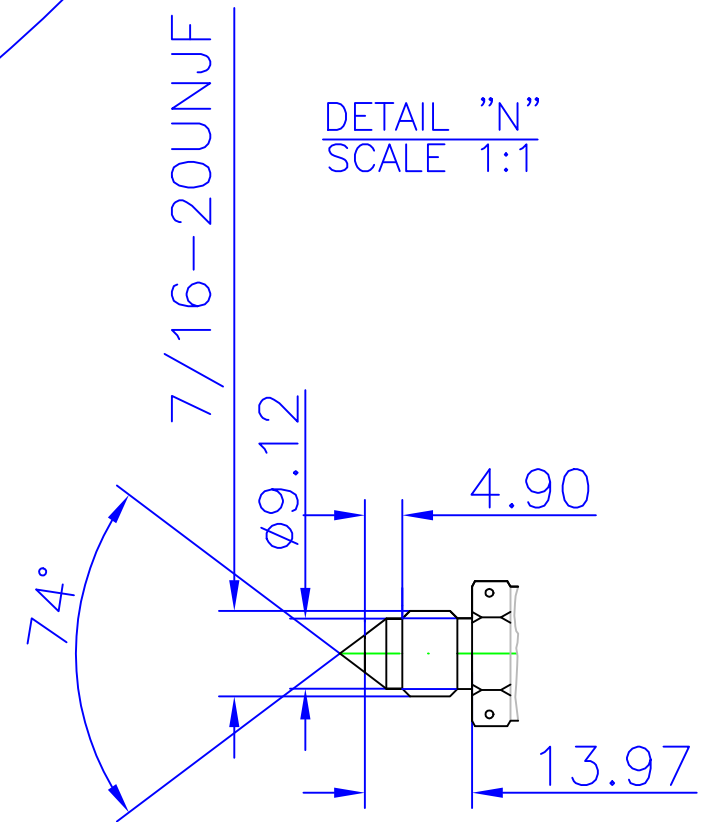
DETAIL "F" SCALE 1:1



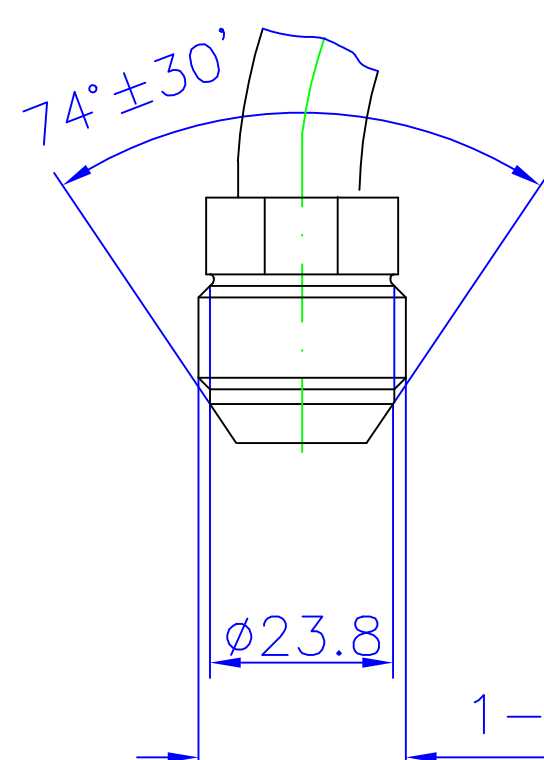
DETAIL "G" SCALE 1:1



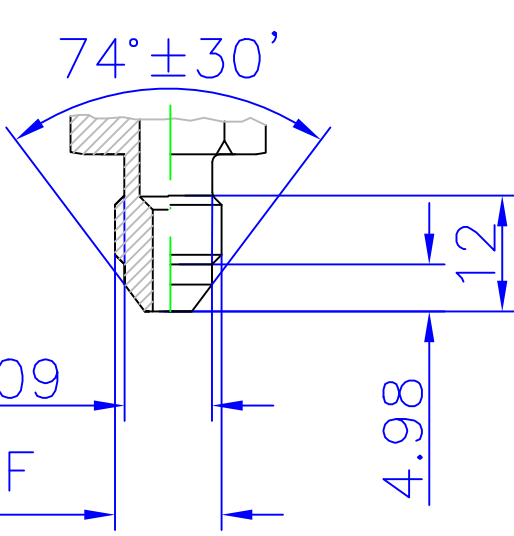
DETAIL "N" SCALE 1:1



VIEW "L" SCALE 1:1



DETAIL "H" SCALE 1:1



UNLESS OTHERWISE SPECIFIED	
DIMENSIONS ARE IN MM	
TOLERANCES	
LINEAR	ANGULAR
±	±
SURFACE TEXTURE	
μM	

**AIRPRO Ltd.** BACAU, ROMANIA

M-14D ENGINE INSTALLATION DRAWING

SIZE	FSCM NO.	DWG NO.	REV
D		14-000-500ID	

SCALE SHEET 2 OF 3