

14-01-30	Case	11	A21-25	1
14-01-506	Checking pin	11	A21-27	3
14-401-02	Bolt	11	A21-28	2
		11		2
14-701-12	Bolt	11	A21-29	34
		11		34
14-901-280	Hinder semi-crankcase	11	A21-30	1
00-01-503	Bolt	11	A21-31	11
00-01-505	Bolt	11	A21-32	2
00-01-602	Bolt	11	A21-33	2
00-601-01	Bolt	11	A21-34	1
14-01-506	Checking pin	11	A21-35	3
14-01-506-01	Checking pin	11		3
14-701-07	Case	11	A21-36	1
97-RD-6	Washer	11	A21-37	17
14-603-03	Shaft	12		1
00-711-10	Split	12	A21-38	1
14-203-09	Plug	12	A21-39	2
14-203-10	Plug	12	A21-40	2
14-603-02	Shaft	12		1
00-711-08	Split	12	A21-41	2
00-711-09	Split	12	A21-42	1
14-03-82	Checking pin	12	A21-43	1
14-03-518	Plug	12	A21-44	1
14-603-01	Shaft	12		1
14-03-04	Nut	12	A21-45	1
14-03-24	Bushing	12	A21-46	1
14-03-53	Plate	12	A21-47	1

14-03-54	Pin	12	A21-48	2
14-03-55	Nut	12	A21-49	2
14-03-514	Pin	12	A21-50	3
14-302-82	Counterweight	12		1
14-03-19	Bushing	12	A21-51	4
14-203-07	Counterweight	12	A21-52	1
14-703-10	Plug	12	A21-53	1
14-603-100	Counterweight	12	A21-54	1
14-603-101	Pin	12	A21-55	2
14-703-07	Bolt	12	A21-56	1
14-703-13	Prior part of crankshaft	12	A21-57	1
14-703-108	Hinder shaft	12		1
10-03-25	Checking pin	12	A21-58	1
14-03-18	Bushing	12	A21-59	2
14-703-02	Cover	12	A21-60	1
14-703-14	Hinder part of crankshaft	12	A21-61	1
14-703-06	Injector	12	A21-62	1
14-703-11	Nut	11	A21-63	1
14-703-109	Bearing	12	A21-64	1
14-703-110	Bearing	12	A21-65	1
108365	Safety	12	A21-66	1
14-606-01	Connecting-rod assembly	12		1
12-06-13	Screw	12	A21-67	18
26-06-12	Safety	12	A21-68	18
14-06-11	Plate	12	A21-69	2
14-606-03	Auxiliary connecting-rod	12		8
14-06-502	Bushing	12	A21-70	1
14-606-101	Auxiliary connecting-rod	12	A21-71	1

14-606-04	Pin	12		8
14-606-104	Cover	12	A21-73	1
14-606-20	Main connecting-rod	12		1
14-606-27	Main connecting-rod	12		1
10-06-18	checking pin	12	A21-74	2
14-606-28	Bushing	12	A21-75	1
14-606-111	Main connecting-rod	12	A21-76	1
14-606-103	Bushing	12	A21-77	9

Cylinder, Piston and Intake Tube Assemblies

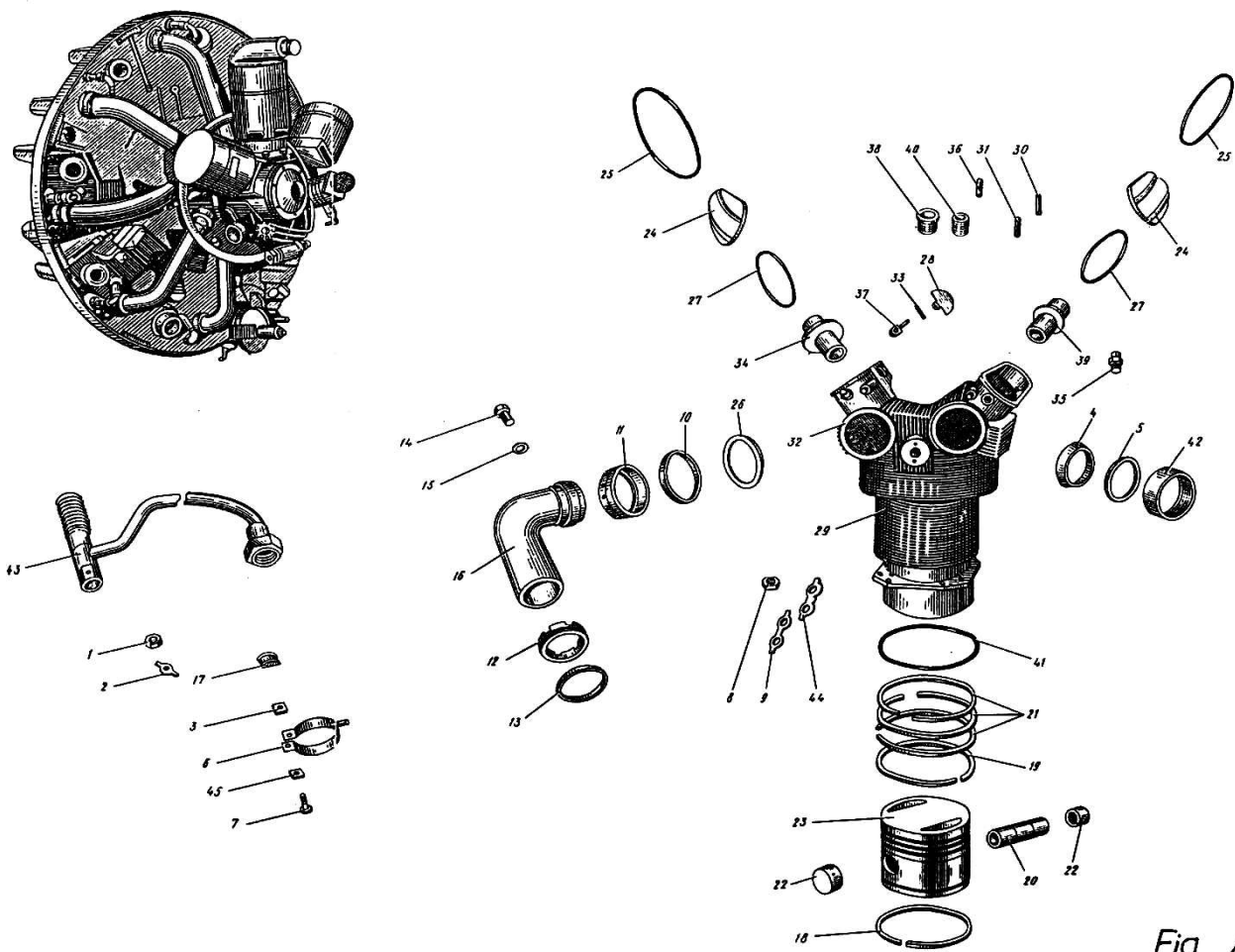


Fig. A3-1

Part Number	Name	Page No.	FIG. No.	#/ Assy
00-03-58	Nut	17	A31-1	1
00-05-51	Safety	17	A31-2	1
10-04-57	Nut	17	A31-3	1
14-604-196	Flange	17	A31-4	9
14-04-542	Gasket	17	A31-5	9
14-04-576	Collard	17	A31-6	1
14-07-09	Screw	17	A31-7	1
14-204-15	Nut	17	A31-8	72
14-204-16	Safety	17	A31-9	27
14-904-380	Pipe-line	17		1
10-04-22	Washer	17	A31-10	1
10-04-24	Nut	17	A31-11	1
10-04-25	Nut	17	A31-12	9
10-04-26	intake seal ring	17	A31-13	9
14-904-028	Plug	17	A31-14	1
14-904-033	Gasket	17	A31-15	1
14-904-370	Pipe-line	17	A31-16	1
14-904-300-01	Pipe-line	17		2
14-904-290-01	Pipe-line	17	A31-16	1
14-604-56	Pipe-line	17		6
14-604-189	Pipe-line	17	A31-16	1
14-604-192	Plug	17	A31-17	10
14-605-22	Piston	17		9
14-05-514	Piston ring	17	A31-18	1
14-05-517	Piston ring	17	A31-19	1
14-605-120	Pin	17	A31-20	1
14-605-122	Piston ring	17	A31-21	3

140605-121	Plug	17	A31-22	2
14-605-103	Piston	17	A31-23	1
14-004-130	Cylinder	17		9
10-04-37	Cover	17	A31-24	2
10-04-38	Cable	17	A31-25	2
10-04-46	Gasket	17	A31-26	1
14-04-513	Gasket	17	A31-27	2
14-04-546	Nut	17	A31-28	2
14-004-120	Cylinder	17	A31-29	1
00-01-527	Bolt	17	A31-30	1
00-01-530	Bolt	17	A31-31	2
10-04-15	Fitting	17	A31-32	1
14-04-514	Axle	17	A31-33	2
14-04-538	Bushing	17	A31-34	1
14-04-545	Fitting	17	A31-35	2
14-204-03	Checking pin	17	A31-36	6
14-204-11	Checking pin	17	A31-37	2
14-204-14	Bushing	17	A31-38	2
14-04-538	Bushing	17	A31-39	1
26-104-03	Bushing	17	A31-40	1
14-704-04	Gasket	17	A31-41	9
14-704-13	Nut	17	A31-42	9
14-717-107-01	pipe-line	17	A31-43	1
15-04-22	Safety	17	A31-44	9
26-07-32	Washer	17	A31-45	1

Valve Assembly

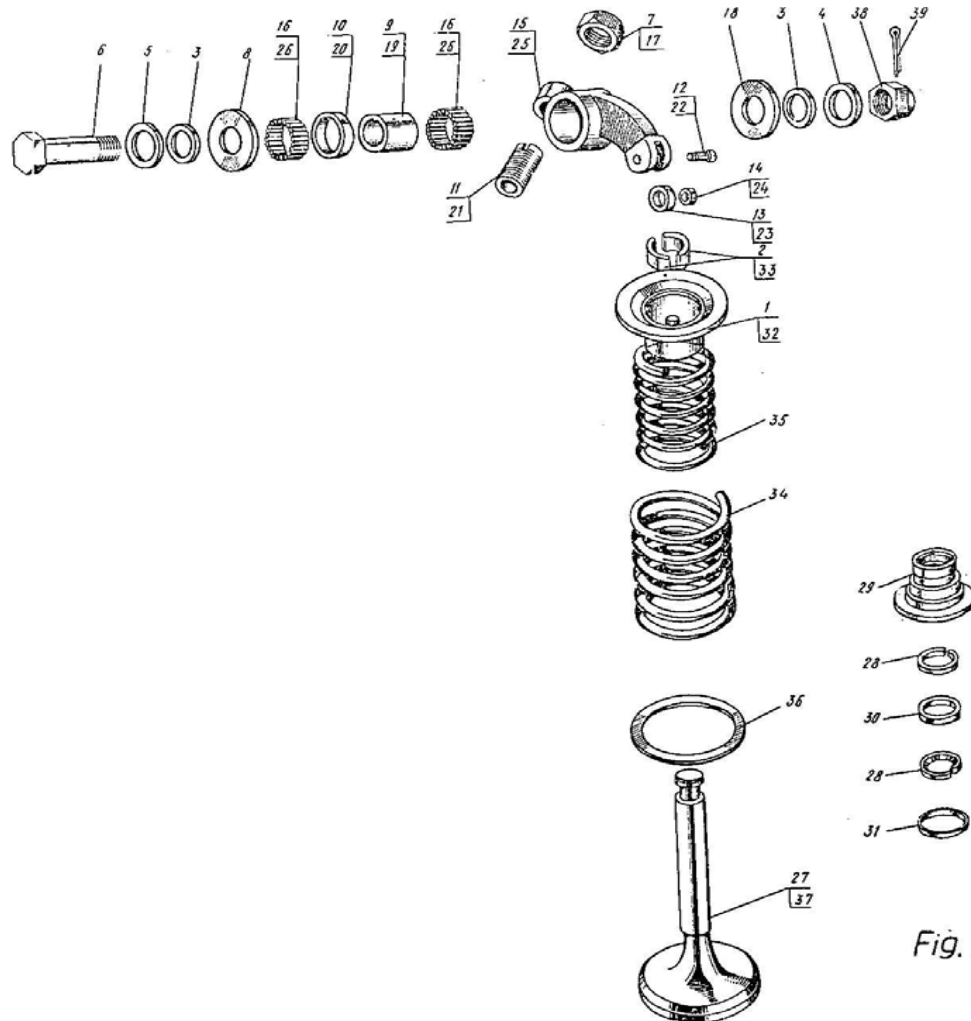
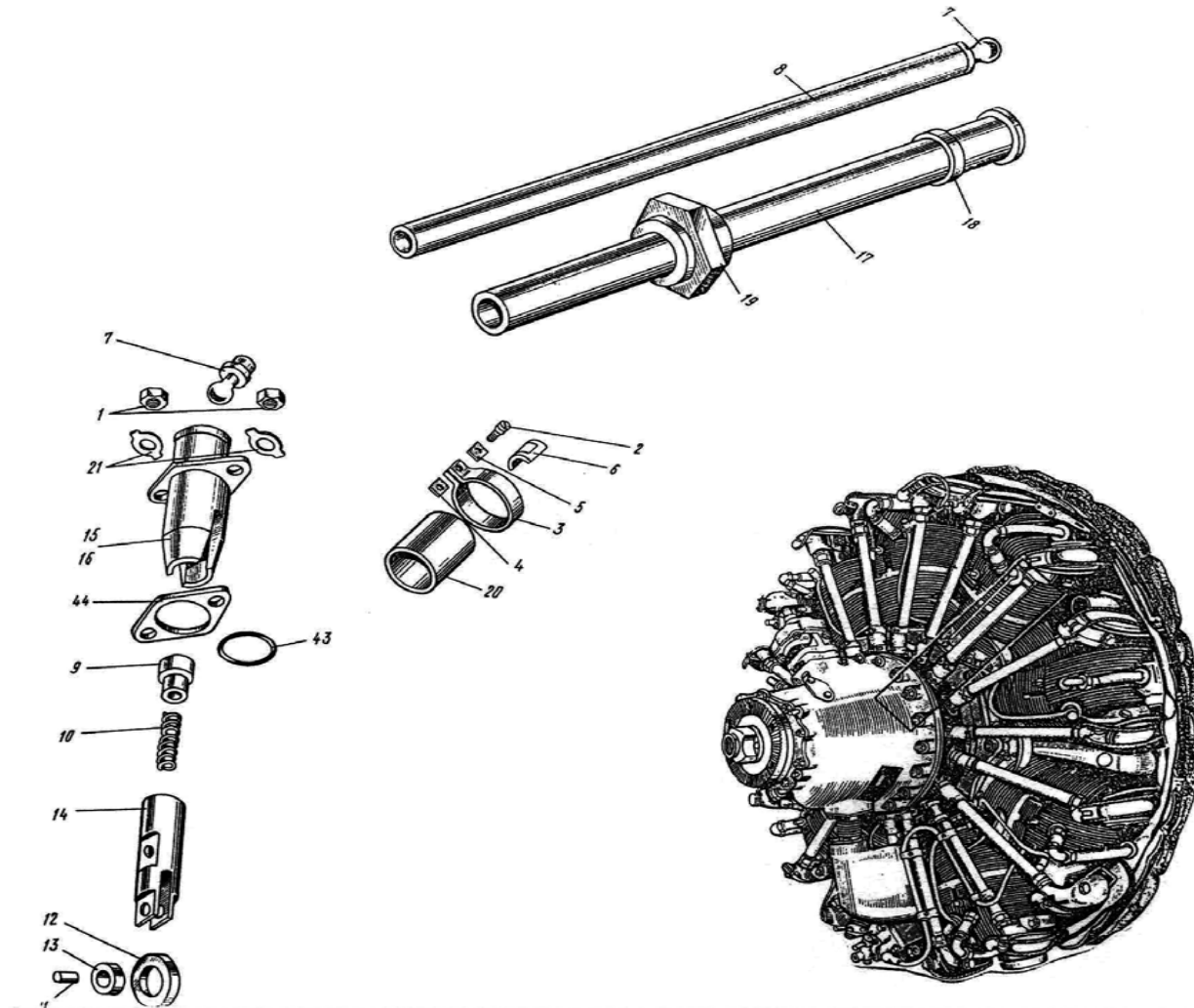


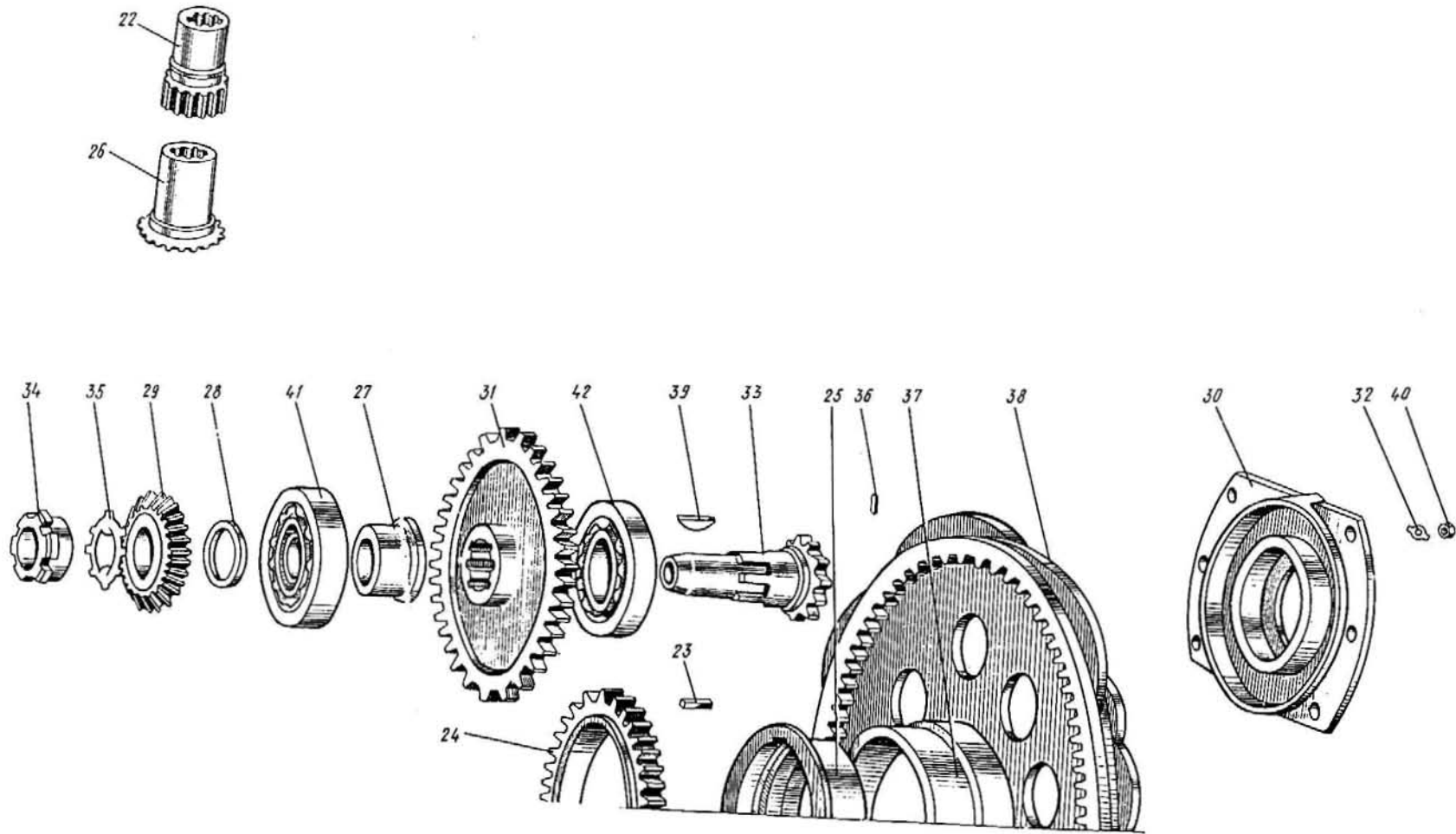
FIG. A3-2

Part Number	Name	Page No.	FIG. No.	#/ Assy
14-004-130	Cylinder	20		9
14-04-511	Plate	20	A32-1	1
14-04-529	Safety	20	A32-2	2
14-07-511	Washer	20	A32-3	4
14-07-512	Washer	20	A32-4	2
14-07-513	Washer	20	A32-5	2
14-207-02	Axle	20	A32-6	2
14-407-104-01	Tappet lever	20		1
19-07-04	Nut	20	A32-7	1
14-07-03	Washer	20	A32-8	2
14-07-04-01	Bushing	20	A32-9	1
14-07-08-01	Ring	20	A32-10	1
14-307-03	Screw	20	A32-11	1
14-407-102-01	Tappet lever	20		1
14-07-502	Axle	20	A32-12	1
14-07-508	Roller	20	A32-13	1
14-07-509	Bushing	20	A32-14	1
14-407-01-01	Tappet lever	20	A32-15	1
2X7,8A5 III ETU 100/7-U	Roller	20	A32-16	56
14-407-105-01	Tappet lever	20		1
10-07-04	Nut	20	A32-17	1
14-07-03	Washer	20	A32-18	1
14-07-04-01	Bushing	20	A32-19	1
14-07-08-01	Ring	20	A32-20	1
14-307-03	Screw	20	A32-21	1
14-407-103-01	Tappet lever	20		1
14-07-502	Axle	20	A32-22	1

14-07-508	Roller	20	A32-23	1
14-07-509	Bushing	20	A32-24	1
14-407-02-01	Tappet lever	20	A32-25	1
2x7,8 A5III ETU 100/7-u	Roller	20	A32-26	56
14-004-150	Exhaust valve	20	A32-27	1
14-004-160	Bushing	20		1
14-604-165	Ring	20	A32-28	2
14-004-14	Bushing	20	A32-29	1
14-604-200	Washer	20	A32-30	1
14-604-201	Ring	20	A32-31	1
14-604-179	Plate	20	A32-32	1
14-604-180	Safety	20	A32-33	2
14-004-15	Spring	20	A32-34	2
14-004-16	Spring	20	A32-35	2
14-604-183	Washer	20	A32-36	2
14-604-197	Valve	20	A32-37	1
26-07-16	Nut	20	A32-38	2
69-RD-6	Split	20	A32-39	2

Cam and Push Rod assemblies





Part Number	Name	Page No.	FIG. No.	#/ Assy
00-03-58	Nut	24	A33-1	36
14-07-600	Collar	24		36
14-07-515	Screw	24	A33-2	1
14-07-516	Band	24	A33-3	1
14-07-517	Nut	24	A33-4	1
14-07-518	Washer	24	A33-5	1
26-07-31	Gasket	24	A33-6	1
14-307-104	Rod	24		9
14-307-104-01	Rod	24	A33-6	9
14-307-04	Extremity rod	24	A33-7	2
		24		2
14-307-05	Rod	24	A33-8	1
14-307-05-01	Rod	24		1
14-609-13	Pucher	24		9
14-309-03-01	Extremity pusher	24	A33-9	9
		24		9
14-309-09	Spring	24	A33-10	9
		24		9
14-709-01	Axle	24	A33-11	9
		24		9
14-709-02	Roller	24	A33-12	9
		24		9
14-709-03	Bushing	24	A33-13	9
		24		9
14-709-04-01	Pusher	24	A33-14	1
		24		1

14-609-125	Guide	24	A33-15	1
14-609-13-01	Pucher	24		9
14-609-126	Guide	24	A33-16	1
14-707-01	Protection	24	A33-17	18
14-707-02	Ring	24	A33-18	18
14-707-03	Nut	24	A33-19	18
14-707-04	Pipe-line	24	A33-20	18
14-709-11	Safety	24	A33-21	36
14-08-23	Coupling	24	A33-22	1
14-008-040	Prior cover	24		1
10-03-5-	Wedge	24	A33-23	1
14-008-002	Pinion	24	A33-24	1
14-08-16	Bushing	24	A33-25	1
14-08-21	Pinion	24	A33-26	1
14-08-22	Bushing	24	A33-27	1
14-08-25	Washer	24	A33-28	1
14-08-507	Pinion	24	A33-29	1
14-608-20	Cover	24	A33-30	1
14-008-003	Pinion	24	A33-31	1
14-608-132	Safety	24	A33-32	6
14-608-134	Axle	24	A33-33	1
14-608-135	Nut	24	A33-34	1
14-608-142	Safety	24	A33-35	1
14-708-107	Cam plate	24		1
00-12-11	Pin	24	A33-36	2
14-08-17	Bushing	24	A33-37	1
14-708-04	Washer	24	A33-38	1
26-60-73	Wedge	24	A33-39	1