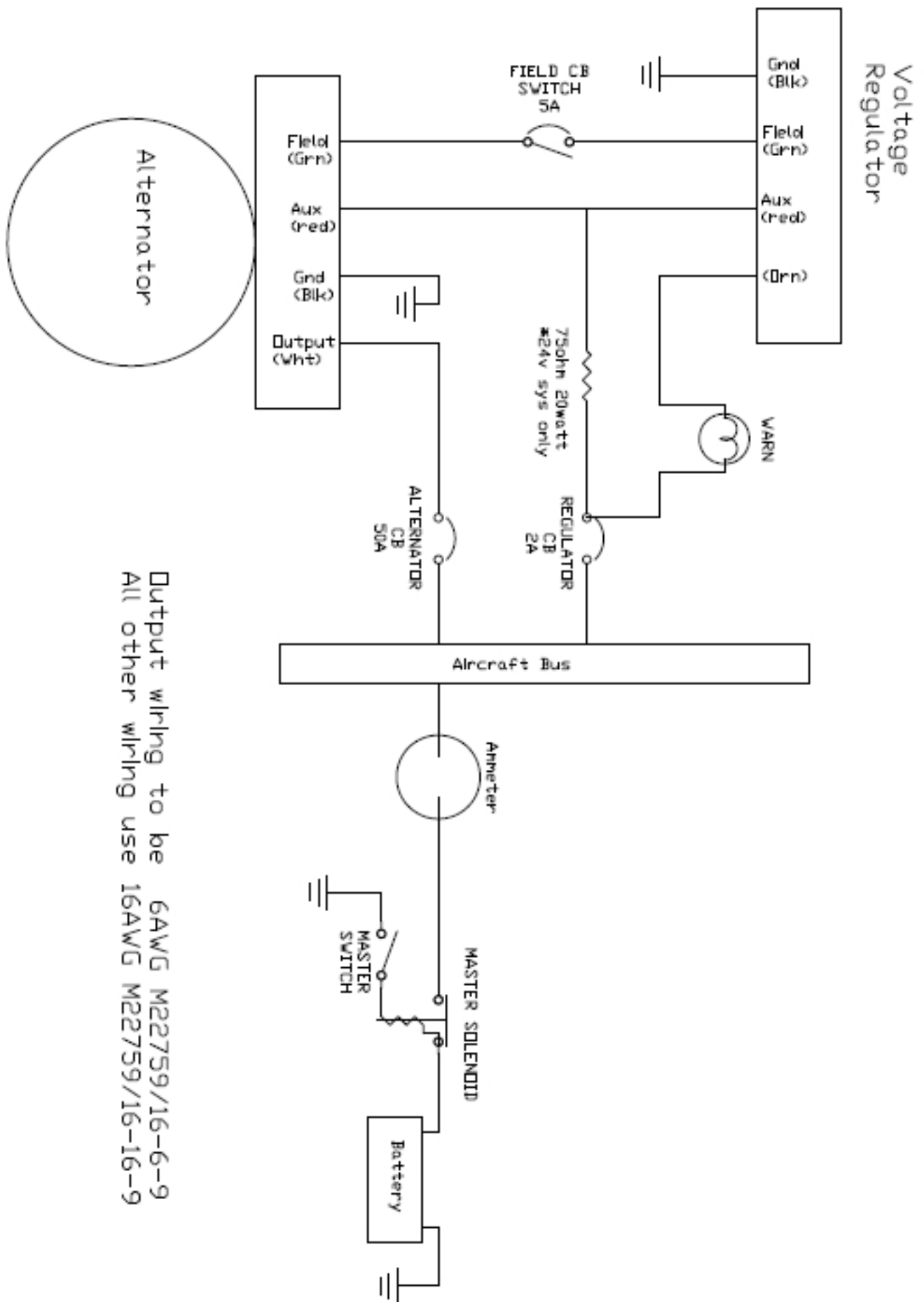


 Alternator Wiring Diagram



Output wiring to be 6AWG M22759/16-6-9
 All other wiring use 16AWG M22759/16-16-9

